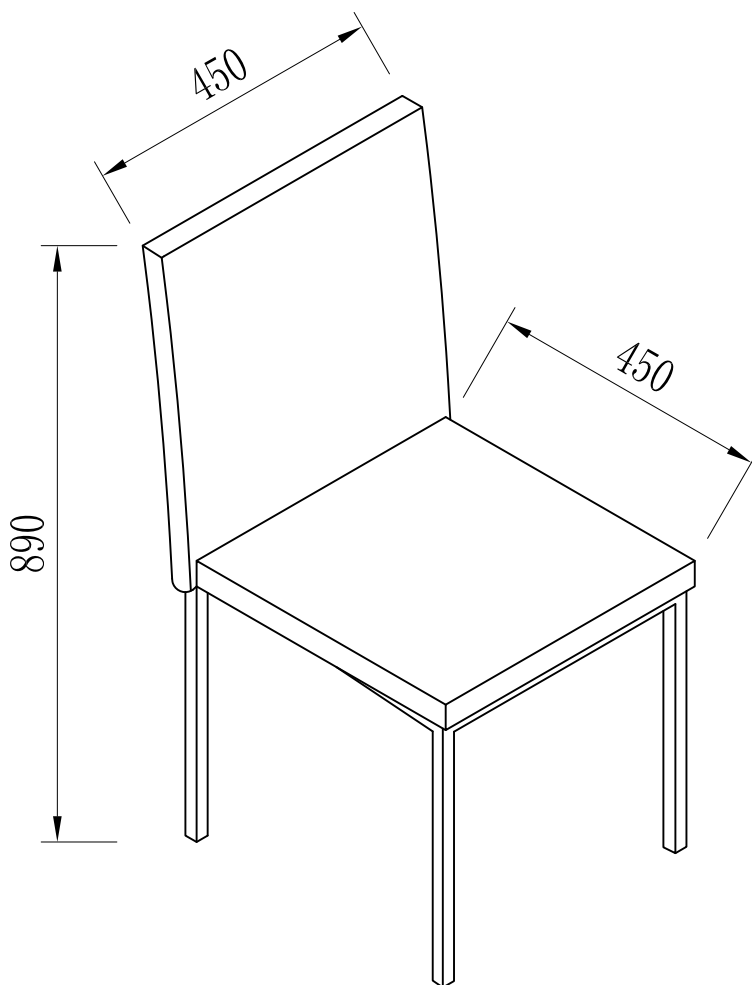




**ASSEMBLY INSTRUCTION
GLACIAL DINING CHAIR
ITEM CODE 67887**

Imported by Amart Furniture Pty Ltd. Qld. Brisbane Australia.
For any assistance with assembly or for missing parts please phone
Amart Furniture, Customer Service Free call 1800 351 084

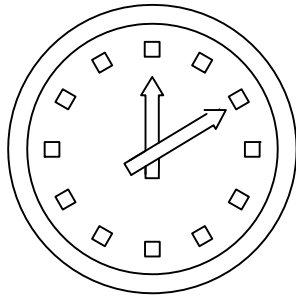


Imported by Amart Furniture Pty Ltd. Qld. Brisbane Australia.
For any assistance with assembly or for missing parts please phone Amart Furniture,
Customer Service Free call 1800 351 084

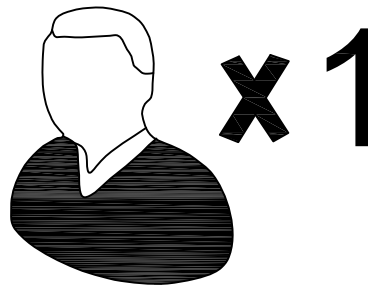
PRE-ASSEMBLY PREPARATION

Before you start:

1. Choose a clean, level, spacious assembly area. Avoid hard surfaces that may damage the product
2. Take care when lifting. Product should be assembled as near as possible to the point of use
3. Ensure that you have all required contents for complete assembly
4. Always read the assembly instructions carefully before beginning assembly.
5. Keep all hardware parts and packaging out of reach of small children.
6. Do not over tighten the screws and bolts as this may damage the threads

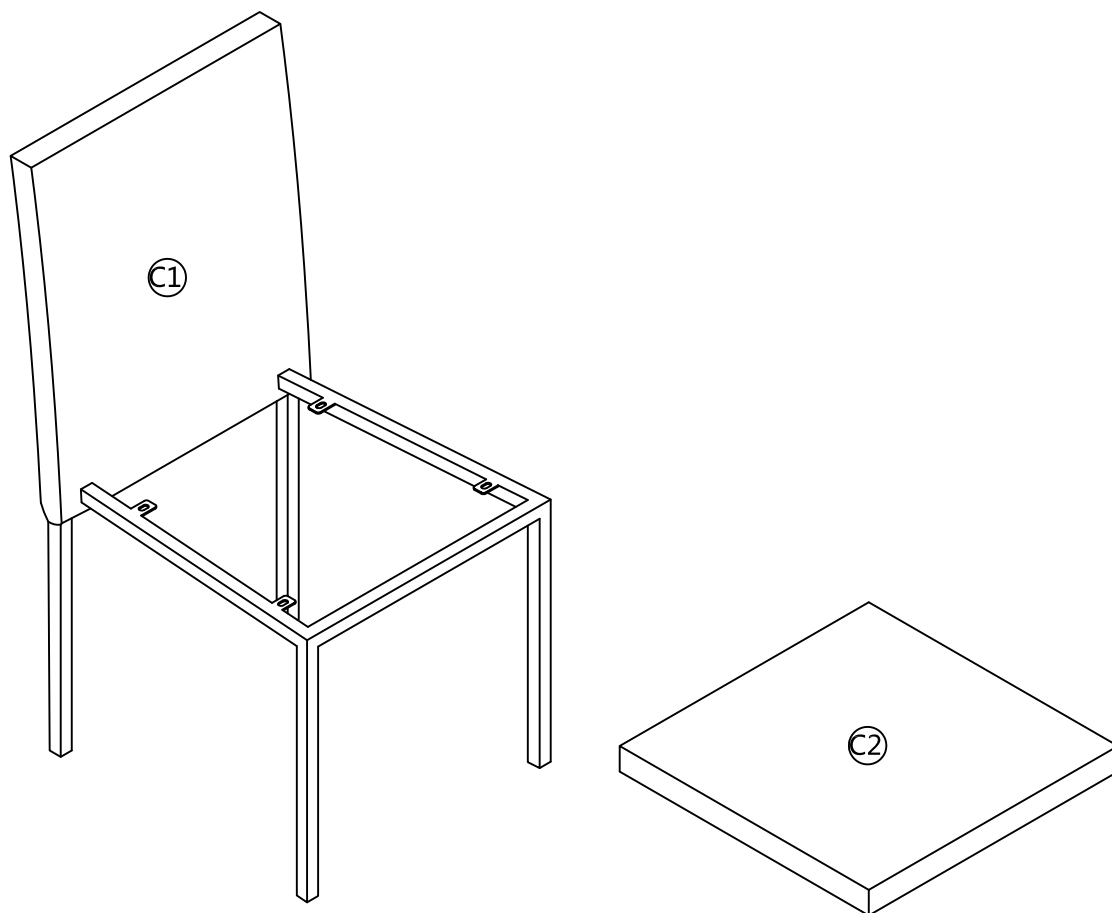


ALLOW 10 MINUTES

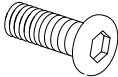




1 PEOPLE REQUIRED

PARTS LIST

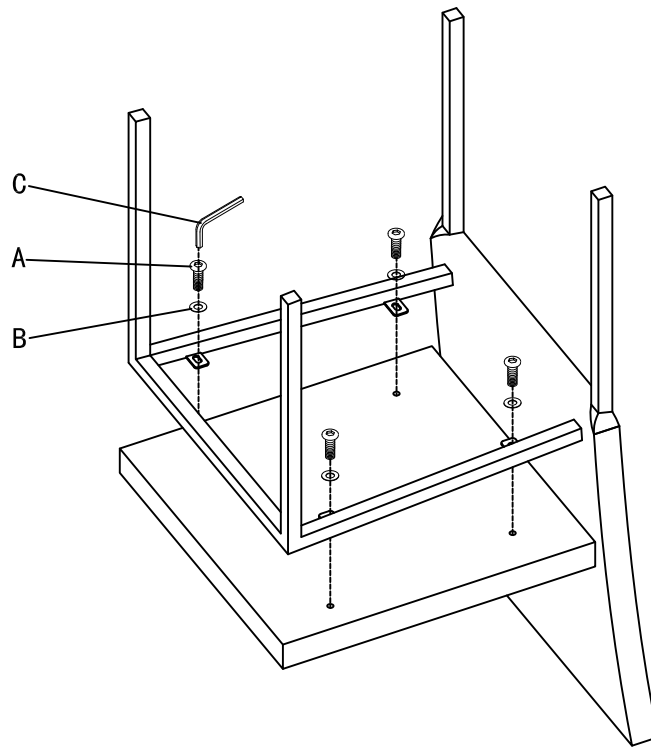


C1	LEG
C2	CUSHION

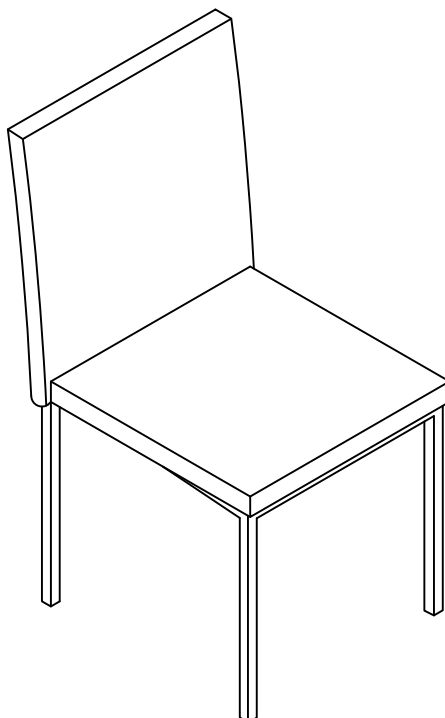
A.BOLT $\varnothing 6 \times 30$ <input type="checkbox"/>  4PCS	B.WASHER <input type="checkbox"/>  4PCS	C.HEX KEY 4MM <input type="checkbox"/>  1PC
--	--	---

67887

STEP 1: Use Hex Key(C)to tighten Cushion (C2) to the Leg(C1)with Bolt (A) and Washer(B)



ASSEMBLY IS COMPLETE



MATERIAL CARE LABEL

Regular Care

Protect from direct sunlight, direct heat and weather.

Regularly dust with a clean dry duster.

Wipe occasionally with clean damp cloth.

Cleaning

Dust before cleaning. Do not remove cushion.

Covers for separate cleaning.

Do not shampoo.

Do not clean by hot-water extraction machine.

Do not dry clean.

Avoid hard rubbing or scrubbing.

Wipe with a clean soft cloth dampened with water and a mild soap solution.

Do not use dishwashing or laundry detergents. Do not use solvents.

Do not wet excessively.

Wipe with a clean cloth dampened with water to remove residual detergents.

Wipe with a clean dry cloth.

Dry in shade away from direct heat.

Note:

This material does not generally require conditioners.

If a conditioner is required, use only a propriety brand and use strictly in accordance with the conditioner manufacturer's instructions.

Do not use floor, furniture or shoe polishes.

Spot cleaning

Clean as above.

Persistent stains may require treatment by a professional cleaner.